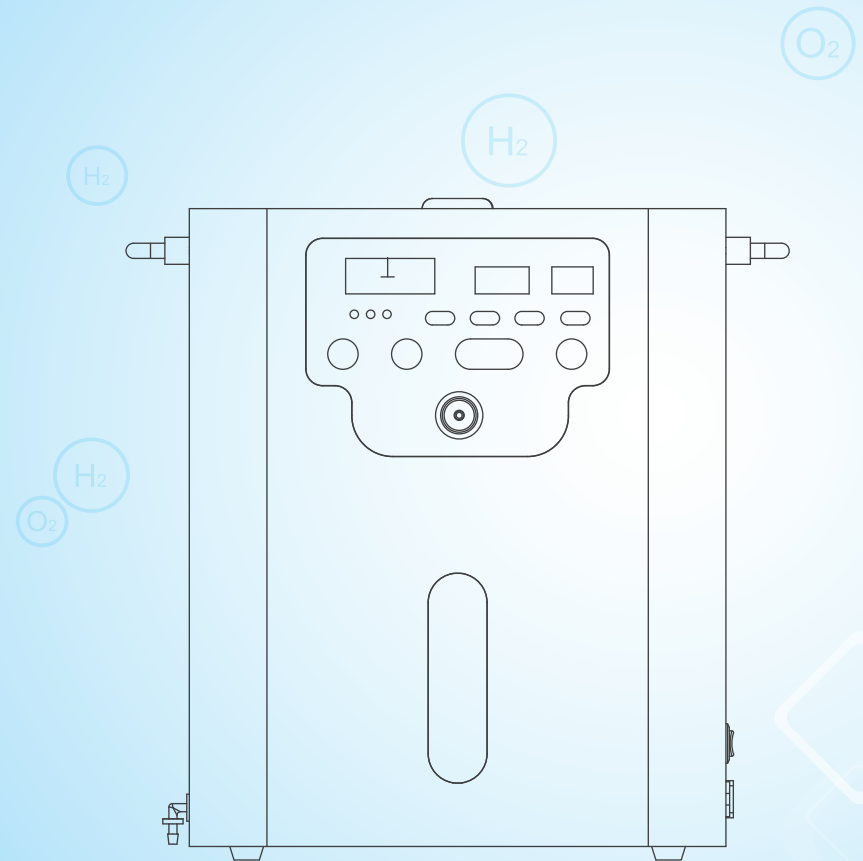


# HYDROGEN INHALER

## User Manual



Please read this user manual carefully before using and keep it properly. The pictures are for reference. Please refer to the purchased products.

# CONTENTS

---

1. Product parameter	P02
2. Function & Feature	P02
3. Main unit	P03
4. Packing List & Warranty period	P04
5. Schematic of the control panel	P04
6. Operation	P08
7. Drainage method	P11
8. Notice	P13
9. Safety	P14
10. Troubleshoot	P15
11. Warranty card	P16

## PRODUCT PARAMETER

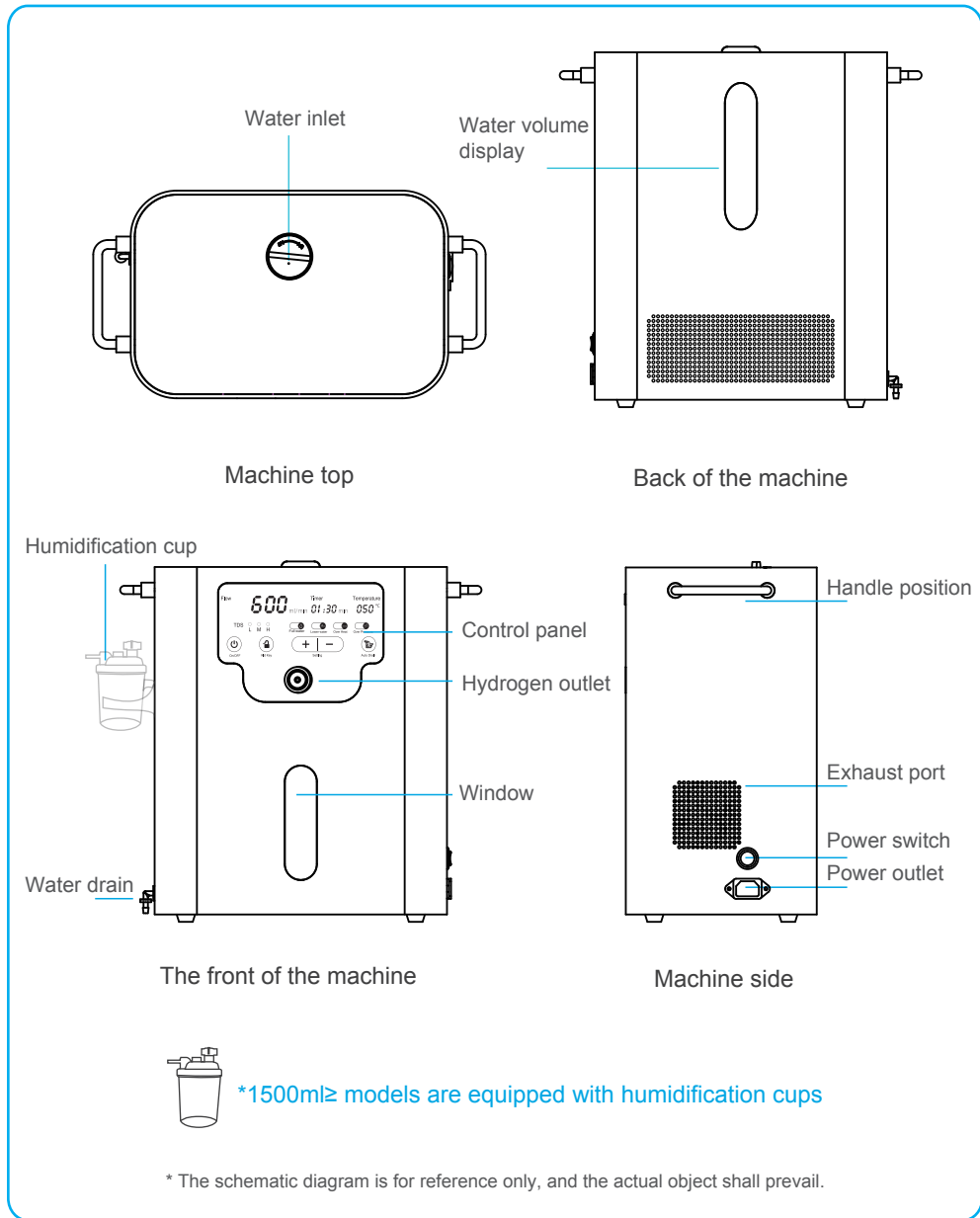
Product name	Hydrogen inhaler
Product model	○GY-H300 ○GY-H600 ○GY-HX900 ○GY-H1000 ○GY-HX1500
Flow rate	300~1500ml/min
Rated power	360W (H600)
Hydrogen concentration	99.996%
Maximum pressure	0.5Mpa
Power input	AC220V, 50Hz
Product size	318*208*378mm (H600)
Water requirement	Purified or distilled water ( TDS<5)

## FUNCTION & FEATURE

- ① 99.996% H<sub>2</sub> gas output, high purity of hydrogen inhalation.
- ② The H<sub>2</sub> flow is 600ml/min with stable output pressure.
- ③ TDS water quality testing function is built into the water tank to monitor water quality in the tank.
- ④ Intelligent protections against "Full Water", "Lower Water", "Over Heat", "Over-pressure"

# PRODUCTION INTRODUCTION

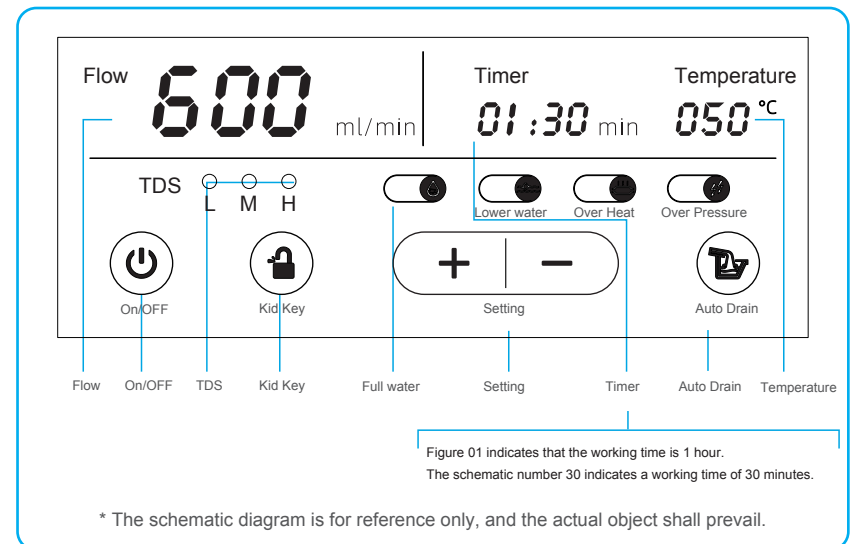
## 1) MAIN UNIT



## 2) PACKING LIST & WARRANTY PERIOD

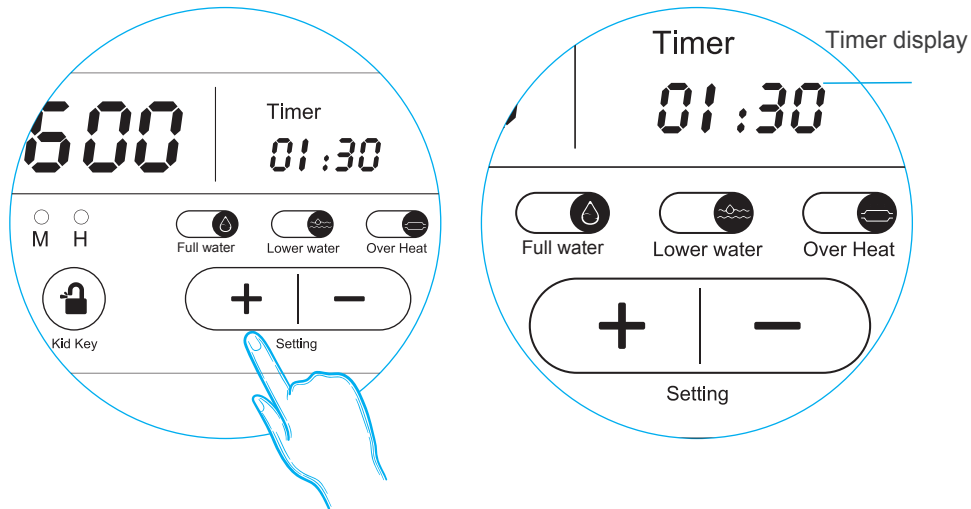
No.	Accessory	Quantity	Warranty Period	Remark
1	Main unit	1 PC	1 Year	
2	Power wire	1 PC	1 Year	
3	H <sub>2</sub> Nasal cannula	1 PC		
4	H <sub>2</sub> gas connecting tube	1 PC		
5	Drain pipe	1 PC		
6	User manual	1 PC		

## 3) SCHEMATIC OF THE CONTROL PANEL



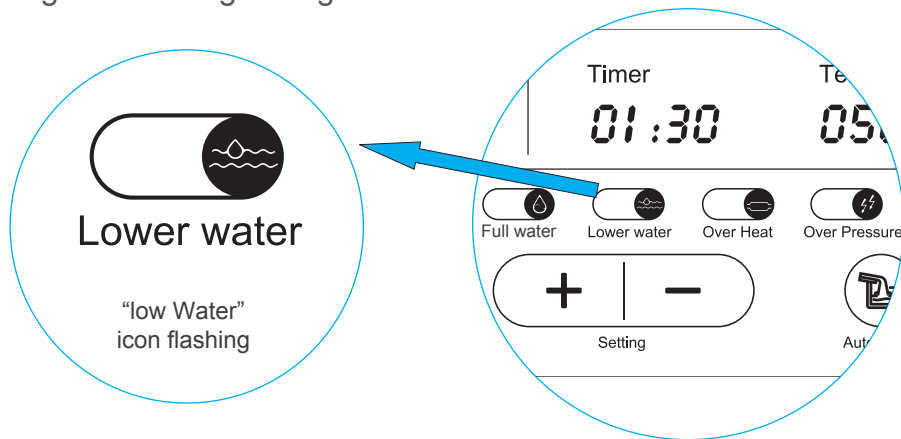
### ① Time Setting

Press "+" button to set working time 30 minutes, 60 minutes, 90 minutes, 2 hour, 3 hours, 4 hours, 6 hours and 8 hours; Press "-" to decrease the working time



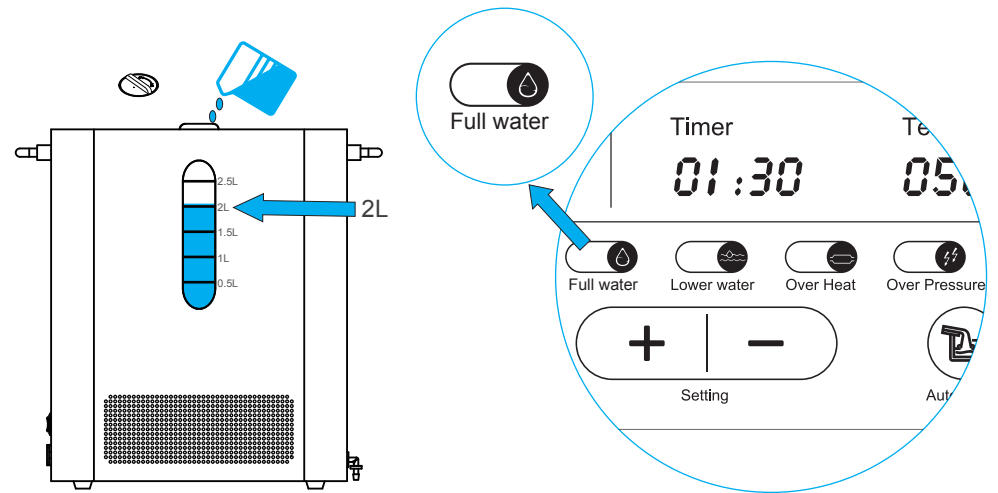
### ② Low Water

Flashing "Low Water" icon indicates the water in the tank is less than minimum water level. If it is short of water when working, the machine will automatically stop working and give a Beep alarm. It will re-start working after adding enough water.



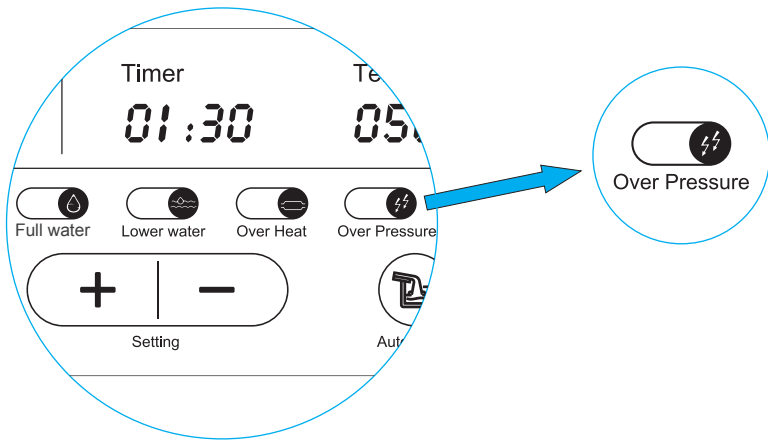
### ③ Full Water

Flashing "Full Water" icon indicates water in the tank is over the max water level, and blue tank light will flash to alarm. It is recommended to observe water volume level on the back of the machine when adding water, and add 1800-2000ml of water. Note: 2500ml is the max water level.



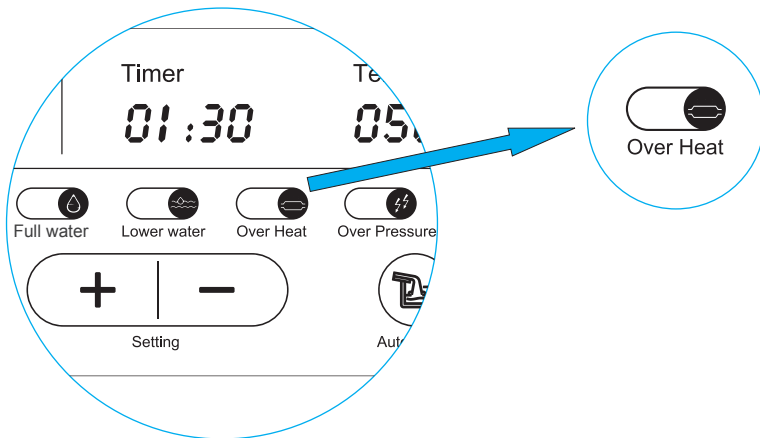
### ④ Over Pressure

When the nasal cannula is folded and abnormal exhaust, the pressure in the cannula increases. When it reach a certain pressure value, the machine stops working, and the "Over Pressure" icon flashes. Please check whether the nasal cannula is folded, and shake the water dry, then reuse. Please replace nasal cannula if the fault can not be eliminated.



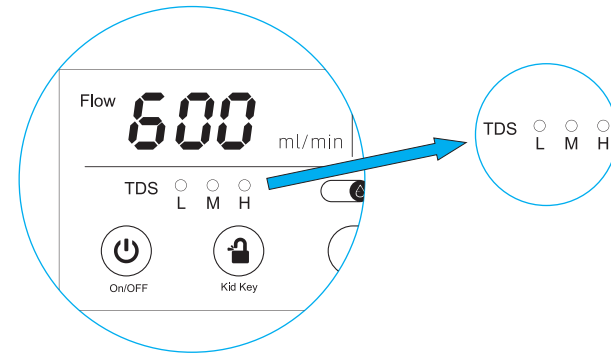
### ⑤ Over Heat

When the internal H<sub>2</sub> production unit is over heat, the machine stops working to protect H<sub>2</sub> production unit, and "Over Heat" icon flashes. Let the machine cool down, then re-start working. Observe whether the H<sub>2</sub> producing in humidified bottle is normal. If abnormal situation occurs, drain the water from the tank, and re-add water to speed up the cooling, then re-start the machine and observe the working.

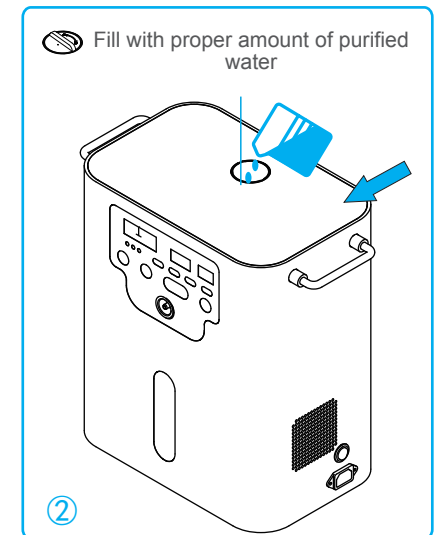
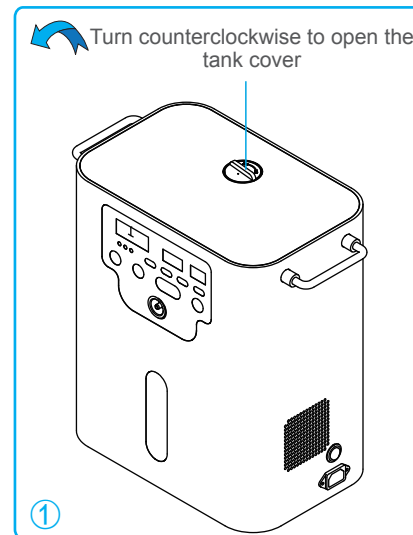


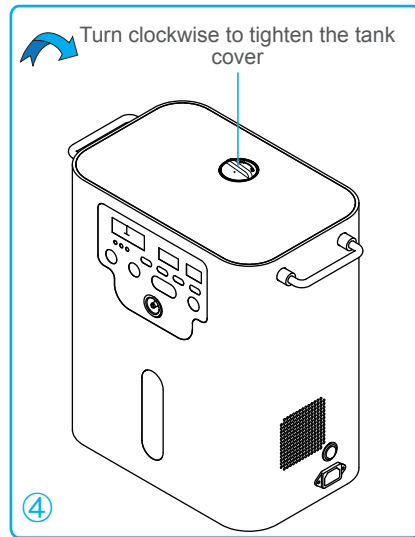
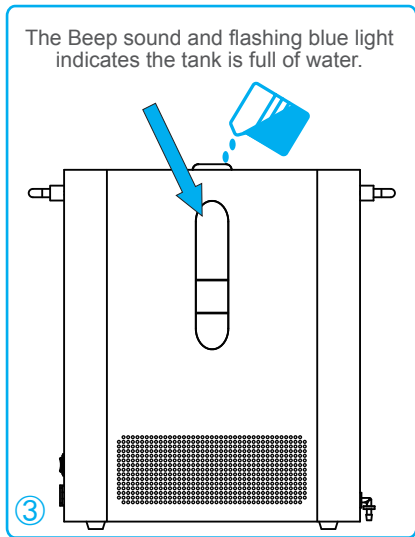
### ⑥ TDS Water Quality

TDS water quality testing function is built into the water tank to monitor water quality. Water quality display is divided into 3 grades: High (H), Medium (M), Low (L)  
When TDS water quality is Low. Please change the water in the tank, and re-start working when it return to High water quality.

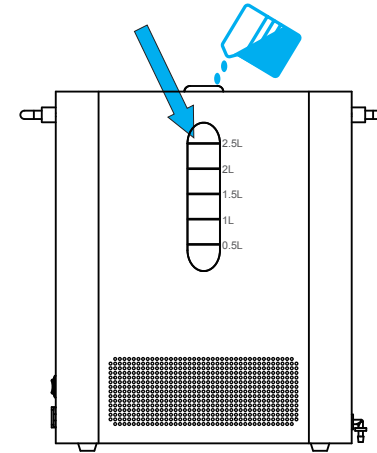


## OPERATION

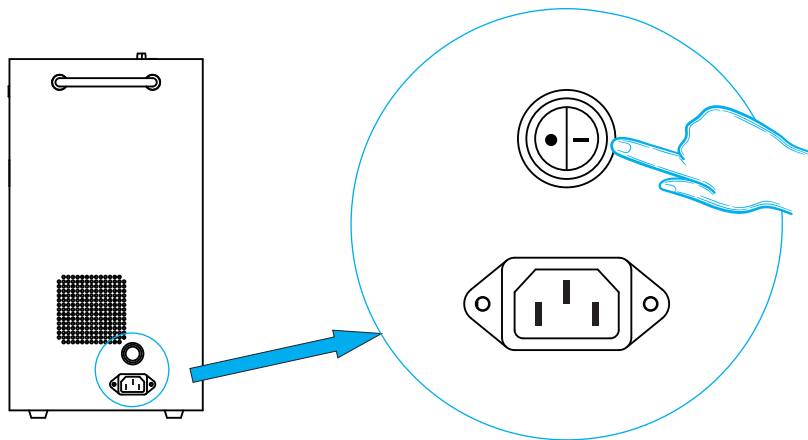




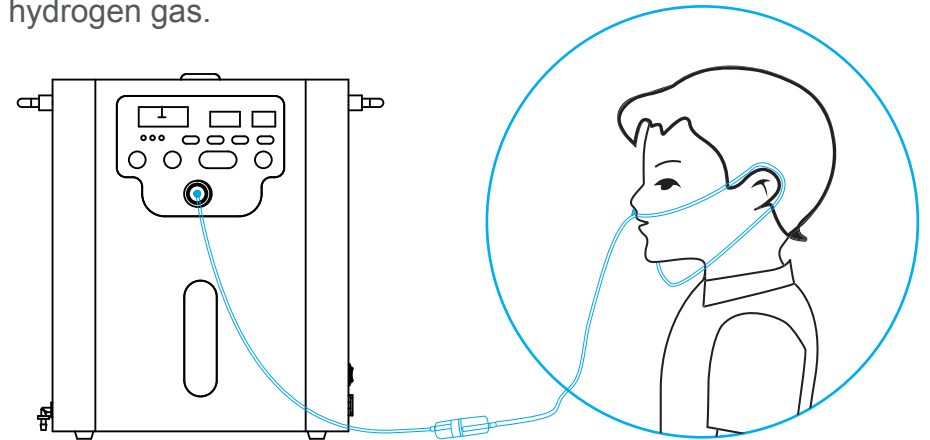
② Fill the water tank with purified water or distilled water to water level of 1500ml-2000ml (Max water level is 2500ml) , and tighten the tank cover.



① Press power switch and power on



③ Connect nasal cannula to H<sub>2</sub> outlet, set the time, and it will generate hydrogen gas.



**NOTE:** It is forbidden to use the same hydrogen inhalation tube for different people to prevent cross-infection, recommend one people one tube.

\*Warming tips:

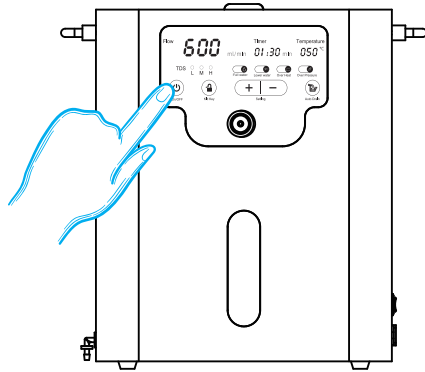
1. Turn counterclockwise to open the tank cover, turn counterclockwise to rotate the cross(+) knob
2. Remove the Ounge Silicone Plug when in use
3. Add purified water or distilled water

# DRAINAGE METHOD

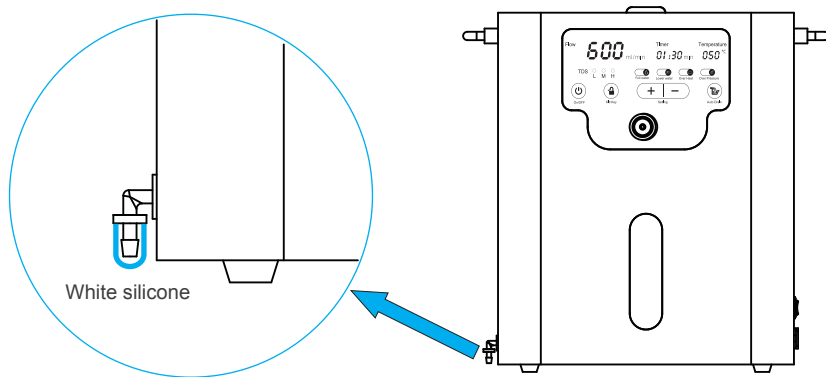
After one week of use of the hydrogen machine or during the process of adding water, the water quality TDS fails to meet the standard, and the water quality on the panel is poor; Please drain and change the water in time, and if you need to move, please empty the water in the water tank.

\*Please close the panel control on/off before draining.

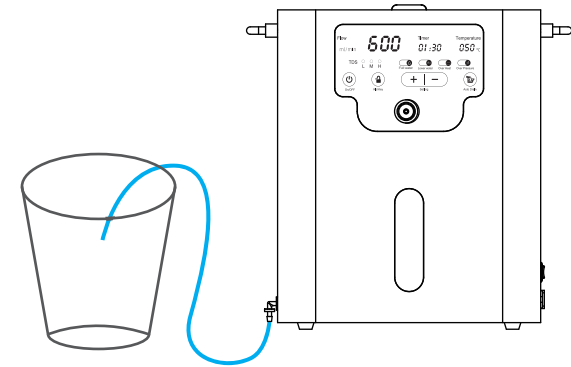
a) Press “on/off “ button to turn off the power.



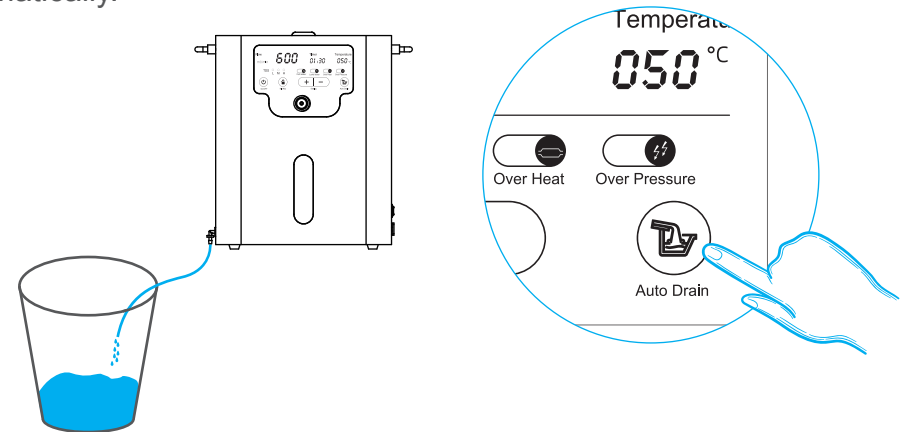
b) After all water drain away, press “ Auto Drain” ,remove the drain-pipe, replug the white silicone.



c) Prepare a bucket, connect the drain-pipe.



d) Long Press the “ Auto Drain” , and the water will drain away automatically.



## NOTICE

- \* Please add purified water or distilled water, water of poor quality can damage the machine.
- \* When the machine is not use for a long time, turn off and unplug for power cord.
- \* If used for a long time or frequently, the water should be changed once a week.
- \* When first use, do not use it for too long. It is recommended to use for 30 mins per day, and slowly extend the use time.
- \* It is recommended to replace a new nasal cannula every 2 months, or every month if the frequency of use is high.
- \* If not used for a long time, please drain away water . Reuse requires the addition of fresh purified water.
- \* Keep all the air outlets must be kept unobstructed when the machine is working.
- \* Put the machine indoor in a ventilated place, away from direct sunlight.

### NOTE:

Please use pure water or distilled water (TDS<5), and replace the water every one week If the machine is damaged because of not using the water that meets the requirements, the company will not be responsible for any damage.

## SAFETY

- ⊘ Keep away from fire, do not smoke or use open flame when using so as to avoid danger.
- ⊘ Inverted horizontal lying is prohibited.
- ⊘ It is forbidden to put any debris around the machine to prevent the air outlet from being blocked.
- ⊘ Grease or grease substances should not be used in any part of the machine to avoid pollution of the air outlet and danger.
- ⊘ Before use every day, please pour out the water in the water collector container to avoid excessive water in the water collector into the nostrils.
- ⊘ Do not place objects on the machine, especially for the liquids.
- ⊘ Unauthorized repair and disassembly is prohibited.
- ⊘ Continues work can not exceed 8 hours, please turn off the power switch after continues use for 8 hours.



## TROUBLESHOOT

Protect the code	Abnormal behavior	Check the main points and exclude them
E1	Stop working, Low Water light on, voice alarm : water tank is short of water, please add pure water or distilled water.	The amount of water in the tank is too low. Inject the water that meets the requirements immediately, and then use it after the water shortage lamp E1 is extinguished. The watermark is up to 1800ml.
E2	Stop working, Overheat light on, voice alarm: hydrogen oxygen machine overheated, please shut down and rest.	The detection temperature of the hydrogen oxygen generator is higher than 65 degrees, and the automatic alarm stops the work and needs to be cooled.
E3	Stop working, TDS light on, voice alarm: Water quality is unbalanced, please replace pure water distilled water.	The water quality does not meet the requirements. (1) Open the drain and drain the water in the tank. Inject into the tank purified water or distilled water drains the water again and circulates three times. (2) Close the drain and add purified water or distilled water until the water shortage lamp is extinguished and then start using.
E4	Stop working, Full Water light on, voice alarm: the water tank is full, please stop adding water.	The amount of water in the tank is injected too much, the E4 light is on, wait for three seconds, and after the E4 light disappears, it is used normally. Add water over the tank cover overflows, please automatically drain the water to lower the water level. The drainage time is 10 seconds, and then the system is turned on normally.

## WARRANTY CARD

- ① We hereby guarantee that for customers purchased product, if it is used normally as per this user manual, in case of any failure, maintenance of main unit will be free of charge within one year from the date of purchase, please refer to Page 4 for other accessories and maintenance warranty.
- ② Our company warrants to you that during the warranty period, our company will provide you the service of repair and technology support for free. Maintenance staff can contact the company when they need schematics and parts lists. Please refer to Page 4 for warranty period.
- ③ Batteries and electrode have problems due to a long time use, please replace it, and our company will charge the material fee.
- ④ Over the life of the machine, please dispose the accessories and bags according to the requirements of the local environment protection department.
- ⑤ Please mail the failure goods to us or the local dealer, and we will handle immediately.

One year of warranty period from the date of purchase (Main unit).

Purchase date: \_\_\_\_\_

User's address: \_\_\_\_\_

Name: \_\_\_\_\_ Telephone: \_\_\_\_\_

Dealer: \_\_\_\_\_

Address: \_\_\_\_\_

Telephone: \_\_\_\_\_

Name: \_\_\_\_\_

Stamp: \_\_\_\_\_